

Image



Key Features

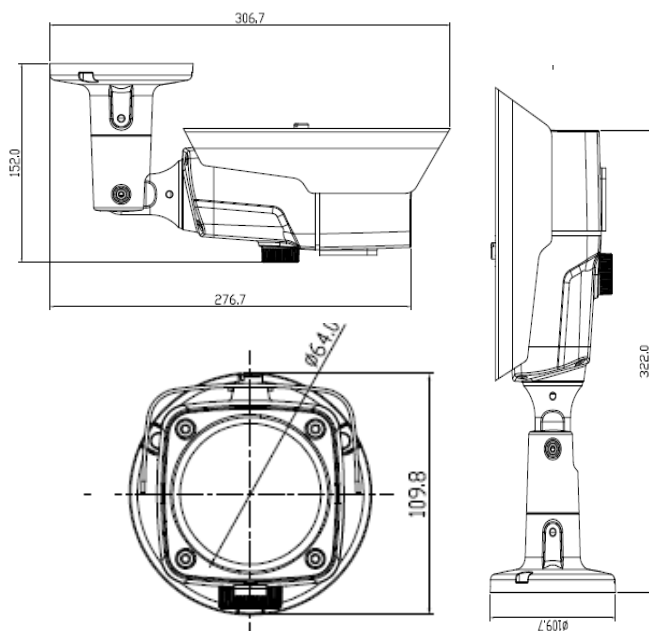
- Sony 1/3 Inch 960H Super HAD II CCD
- Horizontal Resolution 650TV Lines
- Min. Illumination 0.0006 Lux @ F1.2 (Color , Sense up 512x) , 0Lux (IR ON)
- WDR/D-WDR/BLS/HSBLC
- Coaxitron Control (Pelco-C)
- 2D/3D DNR (Digital Noise Reduction)
- f 2.8~12mm Vari-focal Lens
- 36 EA IR LED : 30M
- Weather-Proof : IP 65

Ordering Number

- SPI-205NB3-VTI : NTSC, TDN, 36ea IR LED
- SPI-205PB3-VTI : PAL, TDN, 36 ea IR LED

Dimensions

Unit : mm



Technical Specifications

| Model | SPI-205NB3-VTI | SPI-205NB3-VTI |
|------------------------------------------------------------|----------------------------------------------------------------------------------------------------------------------------|----------------------|
| VIDEO | | |
| Imaging Device | SONY 1/3" 960H Super HAD II CCD | |
| Signal System | NTSC | PAL |
| Total Pixels | 1020(H) x 508(V) | 1020(H) x 596(V) |
| Effective Pixels Number | 976(H) x 494(V) | 976(H) x 582(V) |
| Scanning System | 2:1 Interlace | |
| Sync System | Internal | |
| Scanning Frequency | 15.734KHz(H)/59.94Hz(V) | 15.625KHz(H)/50Hz(V) |
| Horizontal Resolution | Color : 650TV lines, B/W : 700TV lines | |
| Min. Illumination | 0.0006 Lux @ F1.2(Sense up 512x,) 0Lux(IR ON) | |
| S/N Ratio | More than 52dB (AGC OFF) | |
| Video output | CVBS : 1.0Vp-p / 75Ω Composite | |
| VARIFOCAL LENS | | |
| Mount Type | Board (Φ14) | |
| Lens Type | DC Auto IRIS | |
| Focal length | Vari-Focal 2.8mm ~ 12mm | |
| Angular Field of View | H=93°~28.7° | |
| Max. Aperture Ratio | F1.4 | |
| OPERATIONAL (Internal Switch or Coaitron Control) | | |
| OSD Language | English / Chinese / Korean/Japanese/French/Italian/ Spanish/Portuguese/Dutch/German/Polish/Russian/ Turkish/Arabian/Hebrew | |
| Electronic Shutter Speed | 1/60~1/120,000 | 1/50~1/120,000 |
| Flickerless | 1/100sec | 1/120sec |
| Brightness | Support | |
| AGC (Auto Gain Control) | Off / Low / Middle / High | |
| Sens-up (Frame Integration) | 2x ~ 512x | |
| Backlight Compensation | Off / WDR / D-WDR / BLC / HSBLC | |
| Wide Dynamic Range | 64 [dB] | |
| De-Fog | Off/On | |
| Digital Noise Reduction | Off/On(2D/3D DNR) | |
| White Balance | ATW / AUTO / AWC (Push) / Manual | |
| Day & Night | Auto (ICR) / External / Day / Night | |
| Motion Detection | Built-in | |
| Privacy Masking | Rectangle 8 Zone Circle 4 Zone Polygon 2 Zone | |
| Camera Title | Off / On (Displayed 20 characters) | |
| Digital Zoom | Off / On (1x ~ 16x) | |
| D-Effect | Off / Mirror / Rotate / V-Flip | |
| Communication | Coaxitron control | |
| ENVIRONMENTAL | | |
| Operating Temperature | -10℃ ~ +50℃ | |
| Operating Humidity | Less than 80% RH | |
| ELECTRICAL | | |
| Input Voltage | DC12V ±10% | |
| Power Consumption | Max. 4.5W (IRLED ON) | |
| MECHANICAL | | |
| Color | Dark Grey | |
| Material | Aluminum | |
| Dimensions | 322mm x 64 Ø | |
| Weight | Approx. 670g | |

All specifications are subject to change without notice